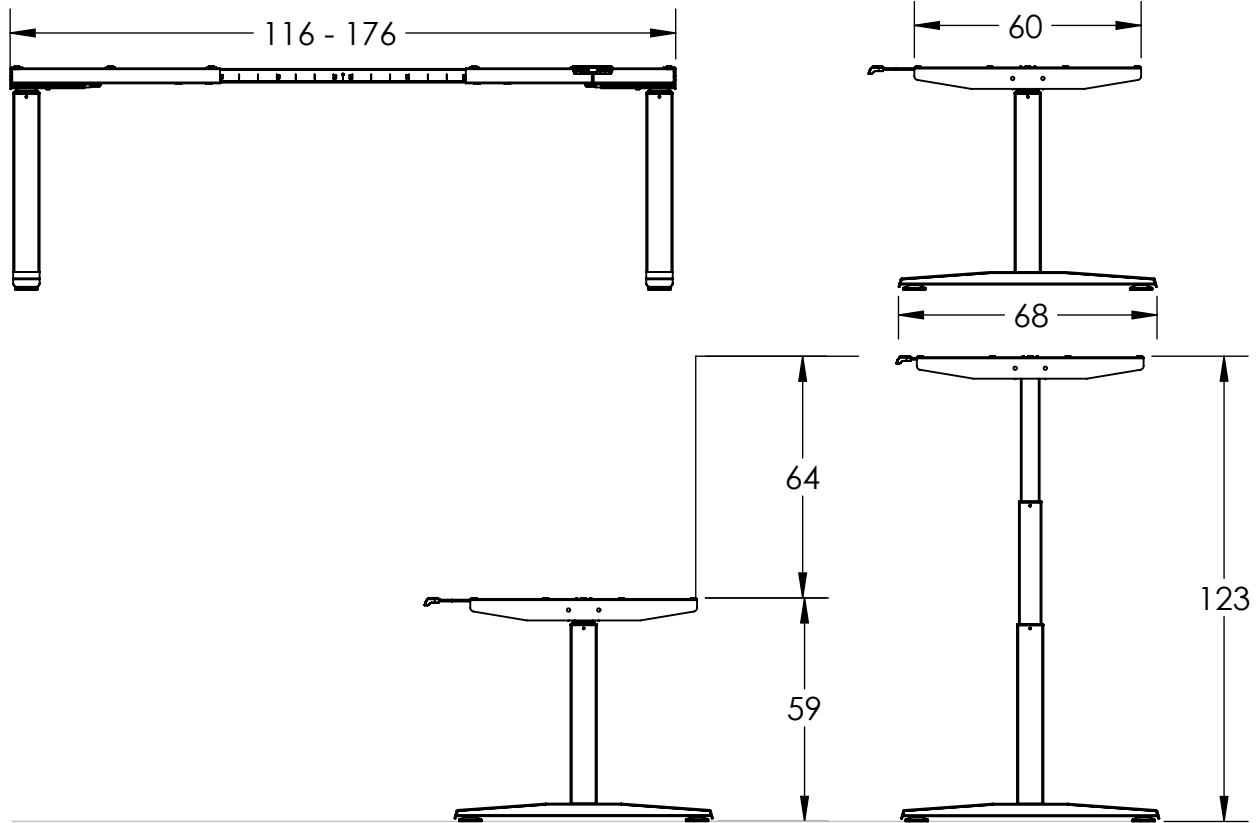


SUNDeSK



SD301-01

| Electric Straight Desk Frame Table Top Length 120cm To 180cm | |
|---|----------------------------|
| Column | 2 Stage |
| Height (cm) | min. 59 / max. 123 |
| Stroke (cm) | 64 |
| Frame Length (cm) | min. 116 / max. 176 |
| Table Top Depth (cm) | min. 70 / max. 80 |
| No. Of Motor | 2 |
| Speed (cm/s) | 3.8 |
| Capacity (kg) | Max.120 |
| Noise dB(A) | < 49 |
| Power | 110 V to 240V |
| Plug Type | UK/EU/US/AUS/JP |
| Weight/Set (kg) | ~30 |
| Material (Frame, Column, Foot) | Powder Coated Steel (RoHS) |
| Handset | Digital Display Memory |
| Safety Feature | Anti-Collision Protection |
| Packing Dimension Per Set | |
| L112 X W17.5 X H25 (cm) | |
| Packing Dimension Pallet (24 Units) | |
| L112 X W105 X H112 (cm) | |

